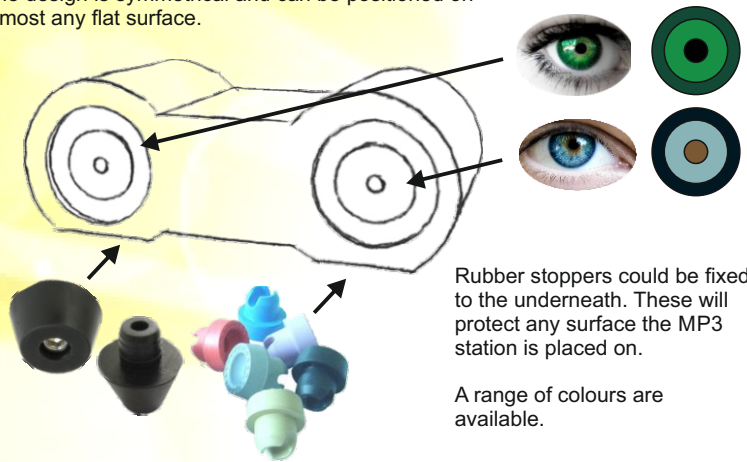


MEMPHIS STYLE MP3 PLAYER - IDEA 1 - SHEET 1

This is my initial design. It has two powerful speakers and is designed to look like 'alert' eyes. The design is symmetrical and can be positioned on almost any flat surface.

I have used 'real' eyes to develop a simple colour scheme for the speakers



Rubber stoppers could be fixed to the underneath. These will protect any surface the MP3 station is placed on.

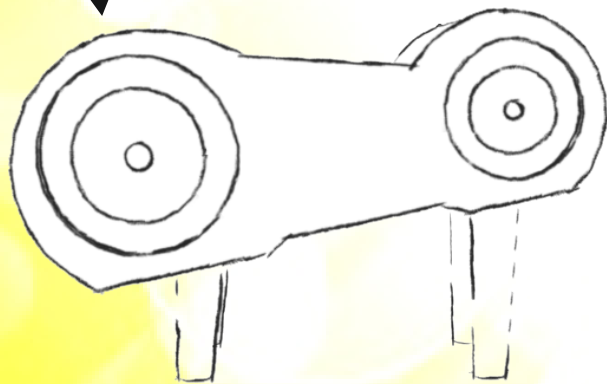
A range of colours are available.

Try www.technologystudent.com for more on the Design Process

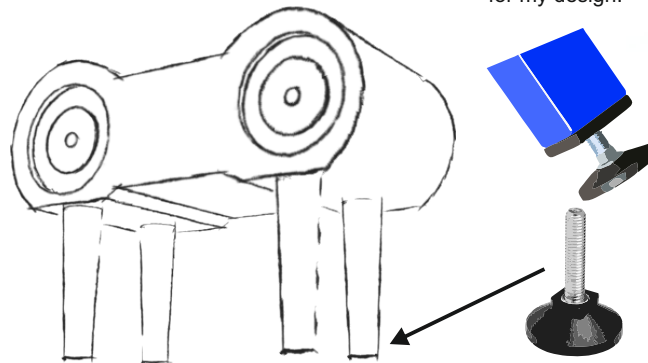
I have increased the size of the lefthand speaker, to compensate for the shorter legs. Again, this is what you would expect of a Memphis style design.

The MP3 station will be supplied with a multi-coloured remote control.

I will develop the shape so that it is more ergonomic.

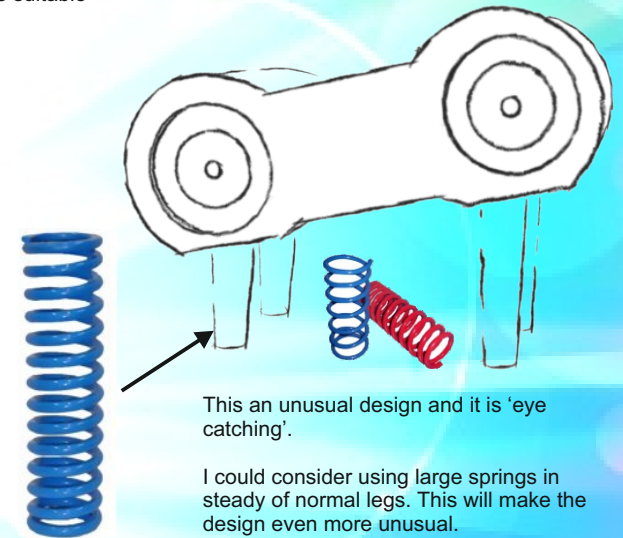


I have added 'retro', 1960s styled legs. These will be adjustable, so that the height of the MP3 station, is level with a seated person. The legs add to the style and appearance.



A range of adjustable feet exist that would be suitable for my design.

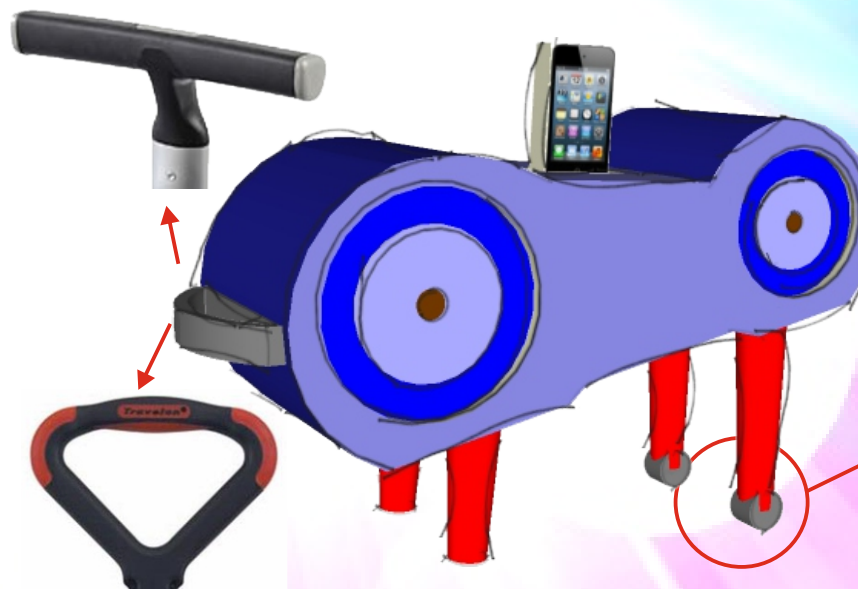
I have altered the length of the legs, so that the left hand side is lower and the MP3 is at an angle. This makes it look unusual, rather like you would expect of a Memphis style.



This an unusual design and it is 'eye catching'.

I could consider using large springs in steady of normal legs. This will make the design even more unusual.

I will consider adding an ergonomic handle. This will be used to lift the left hand side of the MP3 station and the unit can then be moved, with the right hand legs resting on castors.



Castors could be an option for the customer, supplied in a range of colours. They will be made from nylon which allows smooth 'rolling'.

